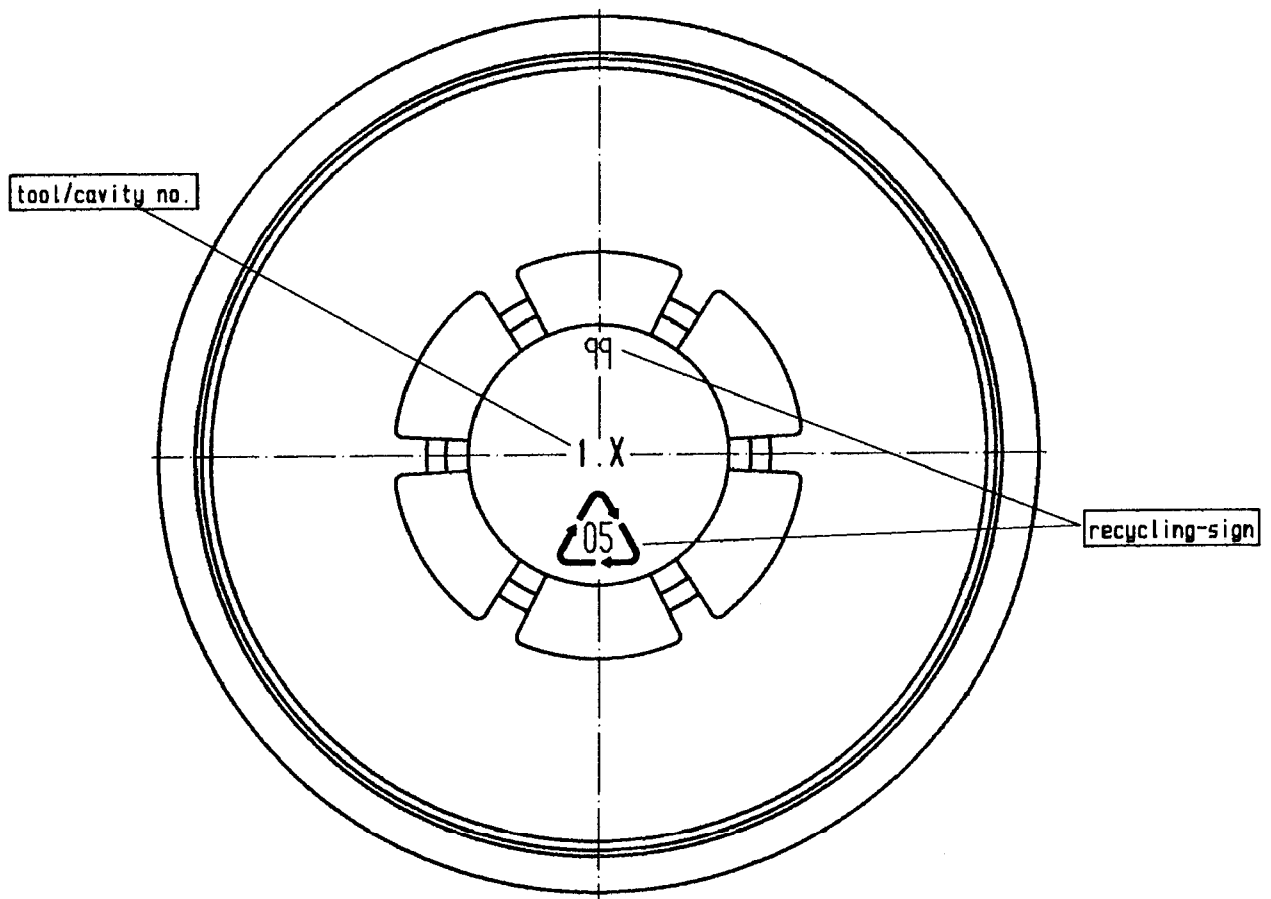
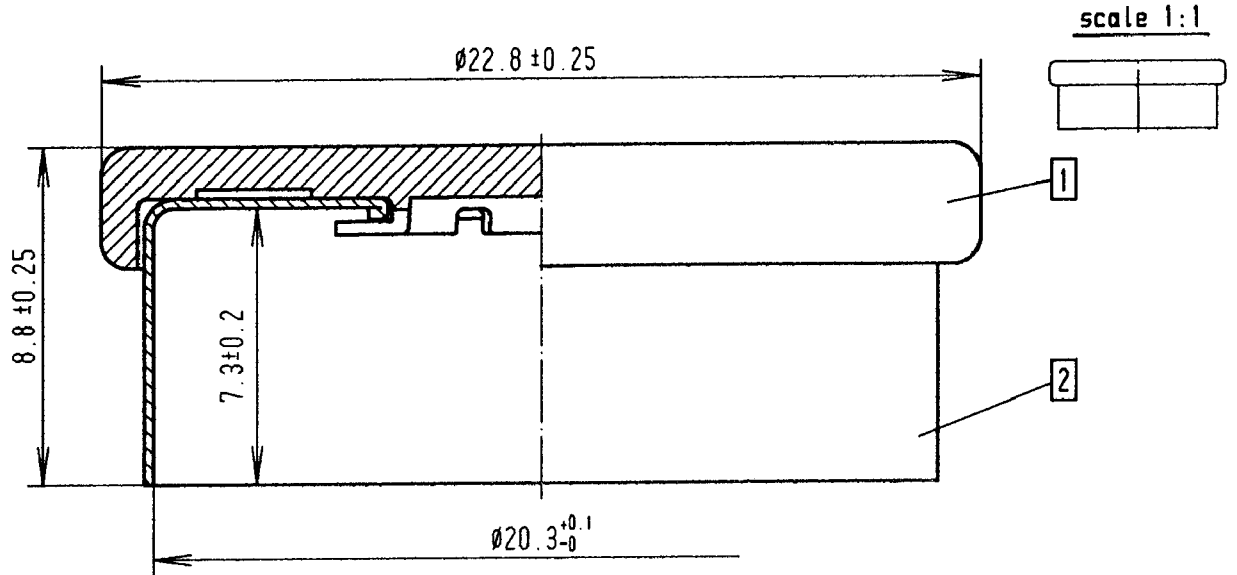


DESCRIPTION: Flip cap CUSTOMER DRAWING PRODUCT NUMBER: FC20.0016
 Product Number old: KK2027 (HPD)



PARTS LIST	pos.	ref.no.	description	material	remarks	MODIFICATION			
							index	modification	date
2	AHC20.0005	All alu. cap	AL (0.20±0.02)			A	total revision	11.04.05	Gilpert
1	PD20.0003	plastic disc	PP						

DRAWING	TRACED: Gilpert DATE: 11.04.05 CHECKED DATE 12.04.05 SIGNATURE: <i>Steyn</i> SCALE: 5:1, 1:1					
	DERIVED FROM DRAWING KK2027 (HPD)		DATED 29.11.96		FILE-REF. (CAD-no.) A419K	PROJECTION:
	REPLACES PRODUCT DRAWING -----		DATED -----		MATERIAL: -----	
VALIDITY	VALID DATE 12.04.05		AUTHORIZED by <i>AS</i>		SIGNATURE <i>Amshlinger</i>	

This drawing is the property of Helvoet Pharma and may be not be copied nor disclosed to third parties without our written consent.
 Dimensions without tolerance indication correspond to ISO 2768 m. Cut or punched edges can be slightly conical, excentric and/or variable.

Printed copies will not be systematically updated