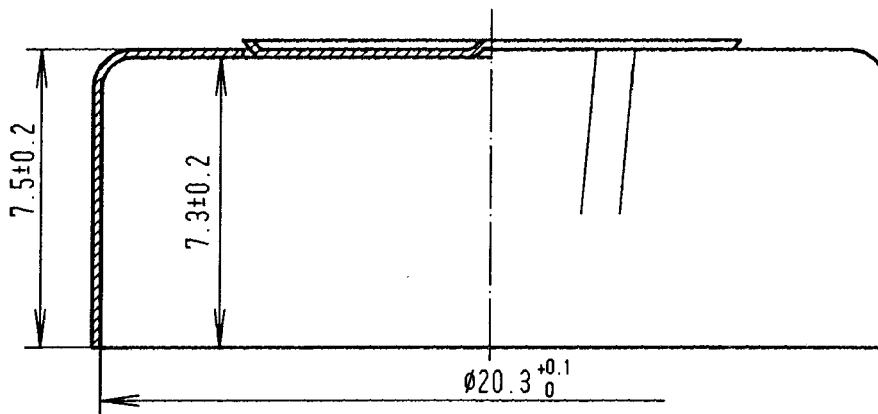
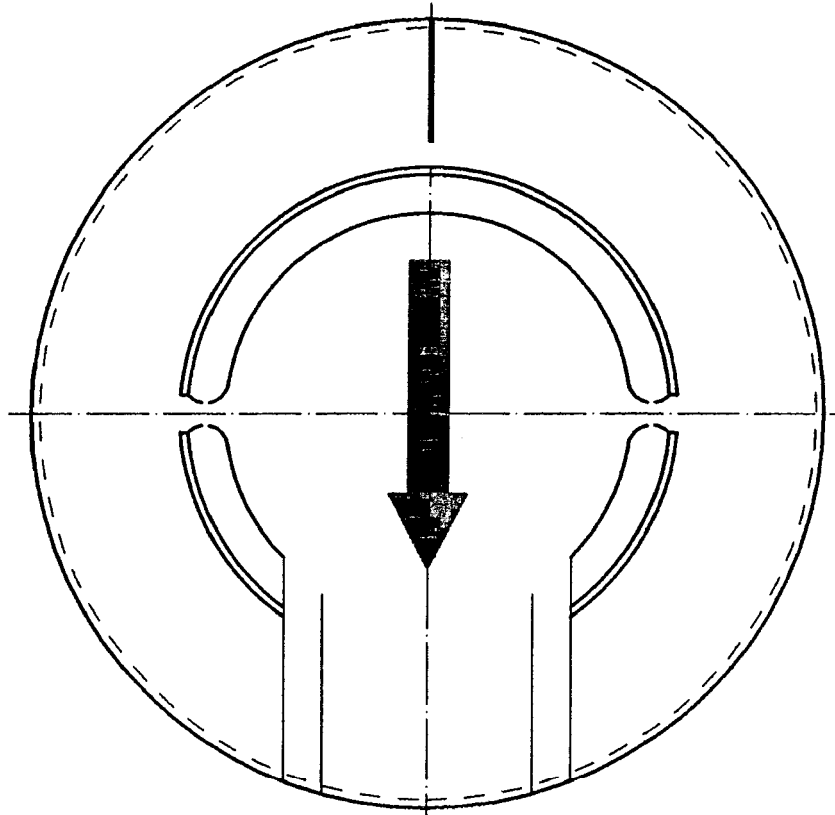


DESCRIPTION: All alu-cap      CUSTOMER DRAWING      PRODUCT NUMBER: ST020.0004  
 Product Number old: AG2000

scale 1:1



PARTS LIST	pos.	ref.no.	description	material	remarks	MODIFICATION	index	modification	date	name
							B	general revision	20.07.05	Gilpert
A	total revision	26.10.04	Gilpert							

DRAWING	TRACED: Gilpert    DATE: 26.10.04    CHECKED DATE 08.09.05    SIGNATURE: <i>[Signature]</i> SCALE: 5:1, 1:1		
	DERIVED FROM DRAWING AG2000 (HPD)    DATED 18.12.96    FILE-REF. (CAD-no.) A110K		PROJECTION:
	REPLACES PRODUCT DRAWING -----	DATED -----	MATERIAL: AL (0.20±0.02)
VALIDITY	VALID DATE 15.08.05	AUTHORIZED by <i>[Signature]</i>	SIGNATURE <i>[Signature]</i>

This drawing is the property of Helvoet Pharma and may be not be copied nor disclosed to third parties without our written consent.  
 Dimensions without tolerance indication correspond to ISO 2768 m. Cut or punched edges can be slightly conical, excentric and/or variable.

Printed copies will not be systematically updated